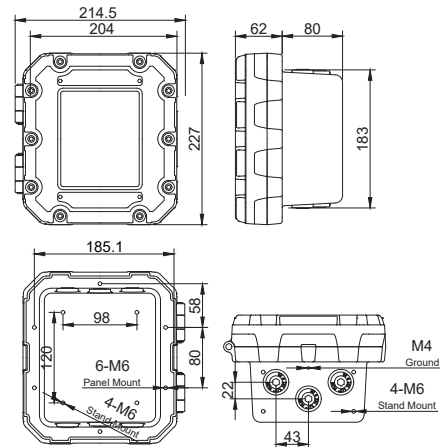


AEX-1A



Flameproof Weighing



Key Features

- Designed for Flameproof Applications
- IECEx, ATEX, and KCs Compliant
- microSD Card Storage (Up to 32 GB)
- 2 × RS-232, 1 × RS-485
- Selectable AC/DC or Battery Power Input

Applications

- Oil and Gas Hazardous Area Weighing
- Cosmetic and Chemical Production Lines
- Explosion Hazard Area Weighing
- Flameproof Platform and Tank Weighing

Specifications

Case Material	Aluminum
Display	4.3" IPS TFT LCD
Touchscreen	15 capacitive touch keys
ADC	24-bit, up to 2400 Hz
Excitation	5/10 VDC, up to 8 × 350 Ω load cell
Sensitivity	0.1 uV/d
Input Range	0–39 mV (±19.5 mV)
Serial Interface	2 × RS-232, 1 × RS-485 (Modbus RTU)
Input	8 inputs (Photocoupler)
Protection Rating	IP66
Power	100–240 VAC, 50/60 Hz, 4.7 W (OP-22: 22–26 VDC, 4.7 W)
Temperature / Humidity	-20 to 60 °C / 85% RH (Non-condensing)
Weight	8.3 kg

Options

OP-04 CAN Bus

OP-05 Ethernet

OP-11 Analog out

OP-13 External output (6 PhotoMOS relay)

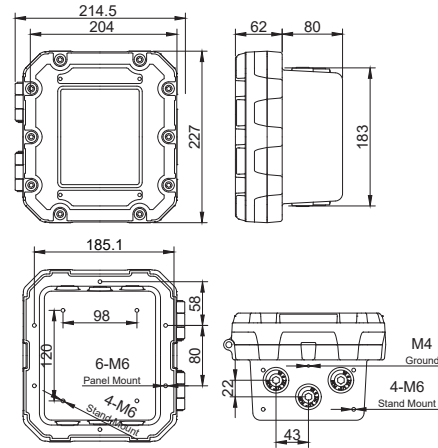
OP-21 Built-in Li-ion battery

OP-22 DC power

AEX-1B



Flameproof 2-Channel Weighing



Key Features

- Ideal for 2-Channel Weighing Applications
- Designed for Flameproof Applications
- IECEx, ATEX, and KCs Compliant
- microSD Card Storage (Up to 32 GB)
- 2 × RS-232, 1 × RS-485

Applications

- 2-Line Weighing In Explosion Hazard Areas
- Weight Comparison for Chemical Processes
- Explosion-Proof 2-Channel Comparison
- 2-Channel Weight Deviation Control

Specifications

Case Material	Aluminum
Display	4.3" IPS TFT LCD
Touchscreen	15 capacitive touch keys
ADC	24-bit, up to 2400 Hz/channel
Excitation	5/10 VDC, up to 4 × 350 Ω load cell/channel
Sensitivity	0.1 uV/d
Input Range	0–39 mV (±19.5 mV)
Serial Interface	2 × RS-232, 1 × RS-485 (Modbus RTU)
Input	8 inputs (Photocoupler)
Protection Rating	IP66
Power	100–240 VAC, 50/60 Hz, 4.7 W (OP-22: 22–26 VDC, 4.7 W)
Temperature / Humidity	-20 to 60 °C / 85% RH (Non-condensing)
Weight	8.3 kg

Options

OP-04 CAN Bus

OP-05 Ethernet

OP-11 Analog out

OP-13 External output (6 PhotoMOS relay)

OP-21 Built-in Li-ion battery

OP-22 DC power