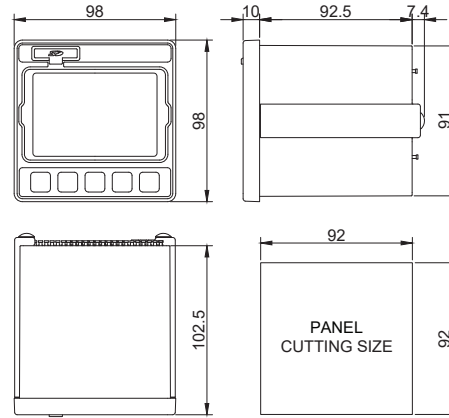


# AI-35TA



## Advanced Weighing



### Key Features

- Ideal for Basic Weighing Applications
- DIN 1/4 Panel Design
- SD Card Storage (Up to 32 GB)
- RS-232 Interface (Standard)
- Selectable AC/DC Power Input

### Applications

- Automation-Integrated Weighing
- Panel-Mounted Industrial Weighing System
- Advanced Industrial Weighing Monitoring
- PLC-Integrated Weighing System

## Specifications

Case Material	ABS
Display	3.5" IPS TFT LCD
Input Method	Resistive touch panel, 5 tactile keys
ADC Resolution	24-bit
Output Data Rate	Up to 150 Hz
Excitation	5/10 VDC, up to 8 × 350 Ω load cell
Sensitivity	0.1 uV/d
Input Range	0–39 mV (±19.5 mV)
Serial Interface	RS-232
USB Interface	USB Type-C (USB 1.1, VCP support)
Power	85–305 VAC, 47–63 Hz, 5 W (OP-22: 22–26 VDC, 5 W)
Temperature / Humidity	-20 to 60 °C / 85% RH (Non-condensing)
Weight	430 g

### Options

OP-02 RS-485

OP-04 CAN Bus

OP-05 Ethernet

OP-11 Analog out

OP-12 BCD out

OP-22 DC power

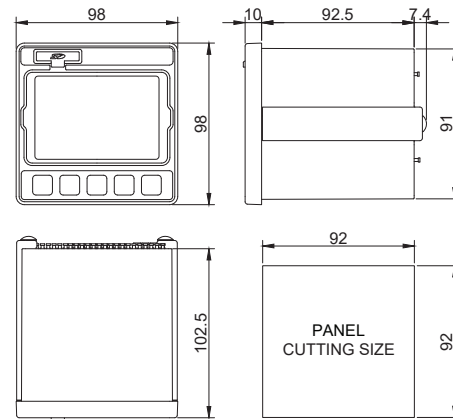
OP-32 Gasket for IP65 front panel

(OP-02 & 04 Mutually exclusive)

## AI-35TB



## Advanced Check Weighing



## Key Features

- Ideal for Check Weighing Applications
- DIN 1/4 Panel Design
- SD Card Storage (Up to 32 GB)
- RS-232 Interface (Standard)
- Selectable AC/DC Power Input

## Applications

- Weight Check Automation System
- Pass/Fail Sorting Control
- Inspection for Packaging & Filling
- PLC-Integrated Weighing System

## Specifications

Case Material	ABS
Display	3.5" IPS TFT LCD
Input Method	Resistive touch panel, 5 tactile keys
ADC Resolution	24-bit
Output Data Rate	Up to 2400 Hz
Excitation	5/10 VDC, up to 8 × 350 Ω load cell
Sensitivity	0.1 uV/d
Input Range	0–39 mV (±19.5 mV)
Interface	RS-232, USB Type-C (USB 1.1, VCP support)
I/O	4 inputs (Photocoupler), 4 outputs (Photo-MOS relay)
Power	85–305 VAC, 47–63 Hz, 5 W (OP-22: 22–26 VDC, 5 W)
Temperature / Humidity	-20 to 60 °C / 85% RH (Non-condensing)
Weight	430 g

## Options

OP-02 RS-485

OP-04 CAN Bus

OP-05 Ethernet

OP-11 Analog out

OP-12 BCD out

OP-22 DC power

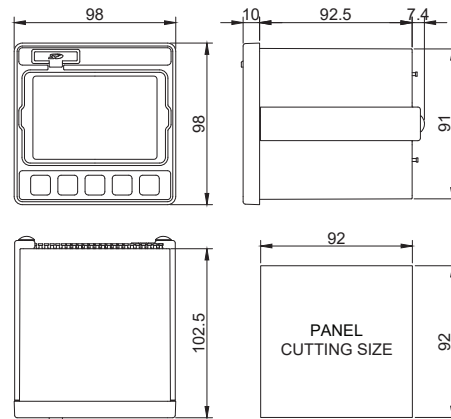
OP-32 Gasket for IP65 front panel

(OP-02 &amp; 04 Mutually exclusive)

## AI-35TC



## Advanced Peak Hold



## Key Features

- 5000 Hz ADC Peak Hold Optimization
- DIN 1/4 Panel Design
- SD Card Storage (Up to 32 GB)
- RS-232 Interface (Standard)
- Selectable AC/DC Power Input

## Applications

- Peak Load Detection System
- Drop & Impact Weight Measurement
- Press Process Max Load Control
- Tension Testing for Yarn & Wire Breakage

## Specifications

Case Material	ABS
Display	3.5" IPS TFT LCD
Input Method	Resistive touch panel, 5 tactile keys
ADC Resolution	24-bit
Output Data Rate	Up to 5000 Hz
Excitation	5/10 VDC, up to 8 × 350 Ω load cell
Sensitivity	0.1 uV/d
Input Range	0–39 mV (±19.5 mV)
Interface	RS-232, USB Type-C (USB 1.1, VCP support)
I/O	4 inputs (Photocoupler), 4 outputs (Photo-MOS relay)
Power	85–305 VAC, 47–63 Hz, 5 W (OP-22: 22–26 VDC, 5 W)
Temperature / Humidity	-20 to 60 °C / 85% RH (Non-condensing)
Weight	430 g

## Options

OP-02 RS-485

OP-04 CAN Bus

OP-05 Ethernet

OP-11 Analog out

OP-12 BCD out

OP-22 DC power

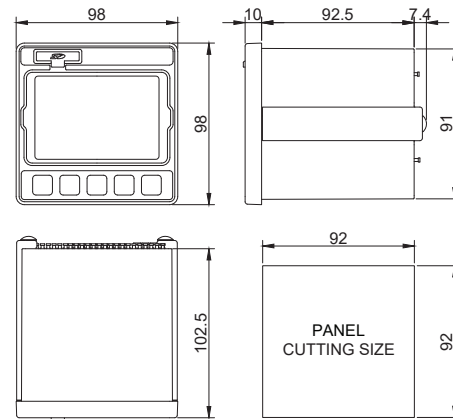
OP-32 Gasket for IP65 front panel

(OP-02 &amp; 04 Mutually exclusive)

## AI-35TD



## Advanced Packing Weighing



## Key Features

- Filling / Packing weighing systems
- DIN 1/4 Panel Design
- SD Card Storage (Up to 32 GB)
- RS-232 Interface (Standard)
- Selectable AC/DC Power Input

## Applications

- High-Speed Quantitative Filling
- Packaging Machine Weight Control
- Material Dosing Weight Management
- PLC-Integrated Weighing System

## Specifications

Case Material	ABS
Display	3.5" IPS TFT LCD
Input Method	Resistive touch panel, 5 tactile keys
ADC Resolution	24-bit
Output Data Rate	Up to 2400 Hz
Excitation	5/10 VDC, up to 8 × 350 Ω load cell
Sensitivity	0.1 uV/d
Input Range	0–39 mV (±19.5 mV)
Interface	RS-232, USB Type-C (USB 1.1, VCP support)
I/O	4 inputs (Photocoupler), 4 outputs (Photo-MOS relay)
Power	85–305 VAC, 47–63 Hz, 5 W (OP-22: 22–26 VDC, 5 W)
Temperature / Humidity	-20 to 60 °C / 85% RH (Non-condensing)
Weight	430 g

## Options

OP-02 RS-485

OP-04 CAN Bus

OP-05 Ethernet

OP-11 Analog out

OP-12 BCD out

OP-22 DC power

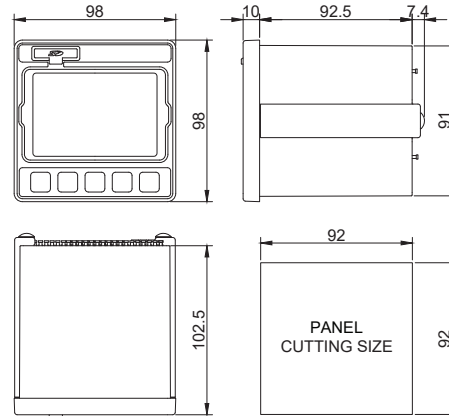
OP-32 Gasket for IP65 front panel

(OP-02 &amp; 04 Mutually exclusive)

# AI-35TE



## Advanced Batching Control



### Key Features

- Ideal for Batching Weighing Applications
- Fully Isolated Interfaces & I/O
- DIN 1/4 Panel Design
- SD Card Storage (Up to 32 GB)
- Selectable AC/DC Power Input

### Applications

- Material Batching Weighing Process
- Auto Mixing & Dosing System
- Material Dosing Weight Management
- PLC-Integrated Weighing System

## Specifications

Case Material	ABS
Display	3.5" IPS TFT LCD
Input Method	Resistive touch panel, 5 tactile keys
ADC Resolution	24-bit
Output Data Rate	Up to 2400 Hz
Excitation	5/10 VDC, up to 8 × 350 Ω load cell
Sensitivity	0.1 uV/d
Input Range	0–39 mV (±19.5 mV)
Interface	RS-232, USB Type-C (USB 1.1, VCP support)
I/O	6 inputs (Photocoupler), 8 outputs (Photo-MOS relay)
Power	85–305 VAC, 47–63 Hz, 5 W (OP-22: 22–26 VDC, 5 W)
Temperature / Humidity	-20 to 60 °C / 85% RH (Non-condensing)
Weight	430 g

### Options

OP-02 RS-485

OP-04 CAN Bus

OP-05 Ethernet

OP-11 Analog out

OP-12 BCD out

OP-22 DC power

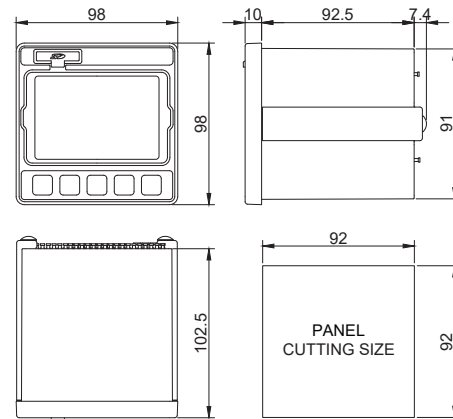
OP-32 Gasket for IP65 front panel

(OP-02 & 04 Mutually exclusive)

## AI-35TF



## Advanced 2-Channel Weighing



## Key Features

- Ideal for 2-Channel Weighing Applications
- DIN 1/4 Panel Design
- SD Card Storage (Up to 32 GB)
- RS-232 Interface (Standard)
- Selectable AC/DC Power Input

## Applications

- Dual-Line Weighing
- Dual-Channel Weight Comparison System
- Dual-Channel Total Comparison Inspection
- Weight Deviation & Quality Control System

## Specifications

Case Material	ABS
Display	3.5" IPS TFT LCD
Input Method	Resistive touch panel, 5 tactile keys
ADC Resolution	24-bit
Output Data Rate	Up to 2400 Hz/channel
Excitation	5/10 VDC, up to 4 × 350 Ω load cell/channel
Sensitivity	0.1 uV/d
Input Range	0–39 mV (±19.5 mV)
Interface	RS-232, USB Type-C (USB 1.1, VCP support)
I/O	4 inputs (Photocoupler), 4 outputs (Photo-MOS relay)
Power	85–305 VAC, 47–63 Hz, 5 W (OP-22: 22–26 VDC, 5 W)
Temperature / Humidity	-20 to 60 °C / 85% RH (Non-condensing)
Weight	430 g

## Options

OP-02 RS-485

OP-04 CAN Bus

OP-05 Ethernet

OP-11 Analog out

OP-12 BCD out

OP-22 DC power

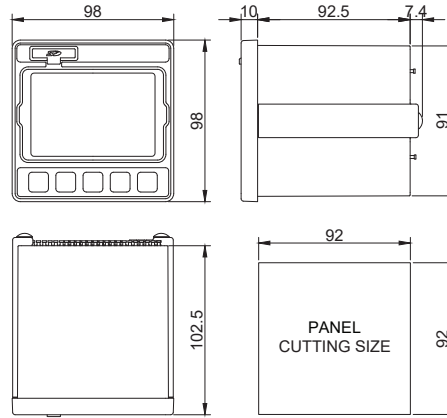
OP-32 Gasket for IP65 front panel

(OP-02 &amp; 04 Mutually exclusive)

# AI-35TG



## Advanced 8-Channel Weighing



### Key Features

- Up to 8-Channel Simultaneous Processing
- Direct CAN (ACJ) Connection Support
- DIN 1/4 Panel Design
- SD Card Storage (Up to 32 GB)
- Selectable AC/DC Power Input

### Applications

- Battery Pack Cell Load Measurement
- CAN 2.0-Based Real-Time Monitoring
- Non-Contact Torque Peak Measurement
- Sensor Monitoring and Diagnostics

## Specifications

Case Material	ABS
Display	3.5" IPS TFT LCD
Input Method	Resistive touch panel, 5 tactile keys
Serial Interface	RS-232
USB Interface	USB Type-C (USB 1.1, VCP support)
CAN Interface	CAN 2.0B
Input	4 inputs (Photocoupler)
Output	4 outputs (Photo-MOS relay)
Power	85-305 VAC, 47-63 Hz (OP-22: 22-26 VDC)
Consumption	5W
Temperature	-20 to 60 °C
Humidity	85% RH (Non-condensing)
Weight	430 g

### Options

OP-05 Ethernet

OP-11 Analog out

OP-12 BCD out

OP-22 DC power

OP-32 Gasket for IP65 front panel