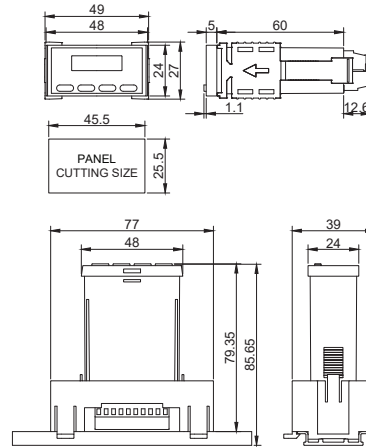


AI-4824A



Simple & Reliable Weighing



OP-31 DIN Rail bracket

Key Features

- Ideal for Basic Weighing Applications
- DIN-Style Tiny Panel Design (48 × 24 mm)
- Fully Isolated Interfaces
- RS-485 (Modbus RTU) Interface (Standard)
- Selectable AC/DC Power Input

Applications

- Compact Automation Weighing
- Panel-Mounted Industrial Weighing System
- Space-Saving Multi-Device Panel Mounting
- PLC-Integrated Weighing System

Specifications

Case Material	Polycarbonate / ABS
Display	0.91" white color OLED
Input Method	4 tactile keys
ADC Resolution	24-bit
Output Data Rate	Up to 150 Hz
Excitation	5 VDC, up to 8 × 350 Ω load cell
Sensitivity	0.1 uV/d
Input Range	0–35 mV (±17.5 mV)
Serial Interface	RS-485 (Modbus RTU)
Power	85–305 VAC, 47–63 Hz, 3 W (OP-22: 4.5–5.5 VDC, 3 W)
Temperature	-20 to 60 °C
Humidity	85% RH (Non-condensing)
Weight	60 g

Options

OP-04 CAN Bus

OP-11 Analog out

OP-22 DC power

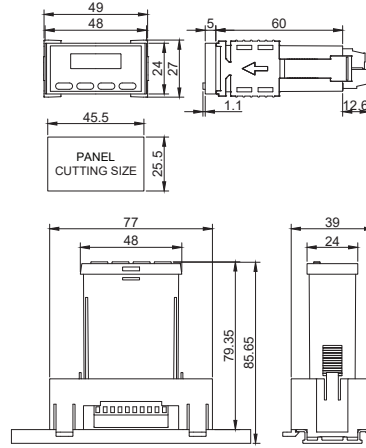
OP-31 DIN Rail bracket

(OP-04 & 11 Mutually exclusive)

AI-4824B



Compact Check Weighing



OP-31 DIN Rail bracket

Key Features

- Ideal for Check Weighing Applications
- DIN-Style Tiny Panel Design (48 × 24 mm)
- Fully Isolated Interfaces & I/O
- RS-485 (Modbus RTU) Interface (Standard)
- Selectable AC/DC Power Input

Applications

- Weight Check Automation System
- Packaging & Inspection Lines
- Panel-Mounted Industrial Weighing System
- PLC-Integrated Weighing System

Specifications

Case Material	Polycarbonate / ABS
Display	0.91" white color OLED
Input Method	4 tactile keys
ADC Resolution	24-bit
Output Data Rate	Up to 150 Hz
Excitation	5 VDC, up to 8 × 350 Ω load cell
Sensitivity	0.1 uV/d
Input Range	0–35 mV (±17.5 mV)
Serial Interface	RS-485 (Modbus RTU)
I/O	1 input (Photocoupler), 2 outputs (Photo-MOS relay)
Power	85–305 VAC, 47–63 Hz, 3 W (OP-22: 4.5–5.5 VDC, 3 W)
Temperature / Humidity	-20 to 60 °C / 85% RH (Non-condensing)
Weight	60 g

Options

OP-04 CAN Bus

OP-11 Analog out

OP-22 DC power

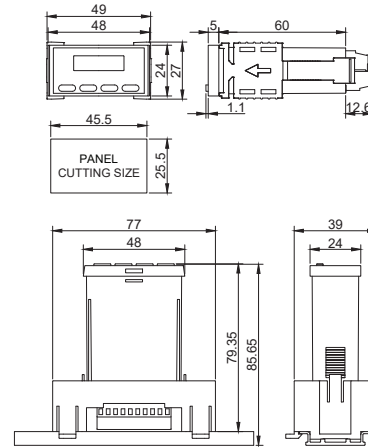
OP-31 DIN Rail bracket

(OP-04 & 11 Mutually exclusive)

AI-4824C



Counting Function



OP-31 DIN Rail bracket

Key Features

- Optimized for Counting & Weighing
- DIN-Style Tiny Panel Design (48 × 24 mm)
- Fully Isolated Interfaces & I/O
- RS-485 (Modbus RTU) Interface (Standard)
- Selectable AC/DC Power Input

Applications

- Small Parts Counting & Management
- Production Input Quantity Verification
- Parts Inventory Management
- Panel-Mounted Counting & Weighing

Specifications

Case Material	Polycarbonate / ABS
Display	0.91" white color OLED
Input Method	4 tactile keys
ADC Resolution	24-bit
Output Data Rate	Up to 150 Hz
Excitation	5 VDC, up to 8 × 350 Ω load cell
Sensitivity	0.1 uV/d
Input Range	0–35 mV (±17.5 mV)
Serial Interface	RS-485 (Modbus RTU)
I/O	1 input (Photocoupler), 2 outputs (Photo-MOS relay)
Power	85–305 VAC, 47–63 Hz, 3 W (OP-22: 4.5–5.5 VDC, 3 W)
Temperature / Humidity	-20 to 60 °C / 85% RH (Non-condensing)
Weight	60 g

Options

OP-04 CAN Bus

OP-11 Analog out

OP-22 DC power

OP-31 DIN Rail bracket

(OP-04 & 11 Mutually exclusive)