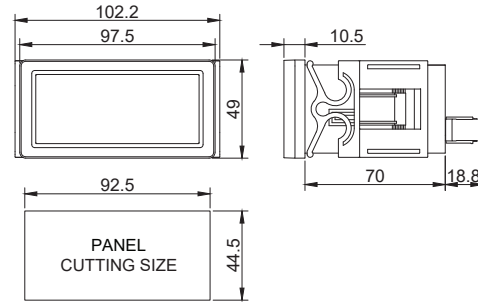


AI-850A



Compact & Reliable Weighing



Key Features

- Ideal for Basic Weighing Applications
- DIN 1/8 Compact Panel Design
- Fully Isolated Interfaces
- RS-232 Interface (Standard)
- Selectable AC/DC Power Input

Applications

- Automation-Integrated Weighing
- Panel-Mounted Industrial Weighing System
- Industrial Weighing Monitoring
- PLC-Integrated Weighing System

Specifications

Case Material	ABS
Display	3.46" IPS TFT LCD
Touchscreen	Resistive touch panel
ADC Resolution	24-bit
Output Data Rate	Up to 150 Hz
Excitation	5 VDC, up to 8 × 350 Ω load cell
Sensitivity	0.1 uV/d
Input Range	0–39 mV (±19.5 mV)
Serial Interface	RS-232
USB Interface	USB Type-C (USB 1.1, VCP support)
Power	85–305 VAC, 47–63 Hz, 5 W (OP-22: 22–26 VDC, 5 W)
Temperature / Humidity	-20 to 60 °C / 85% RH (Non-condensing)
Weight	170 g

Options

OP-02 RS-485

OP-04 CAN Bus

OP-05 Ethernet

OP-11 Analog out

OP-12 BCD out

OP-22 DC power

OP-24 3 V excitation

OP-25 10 V excitation

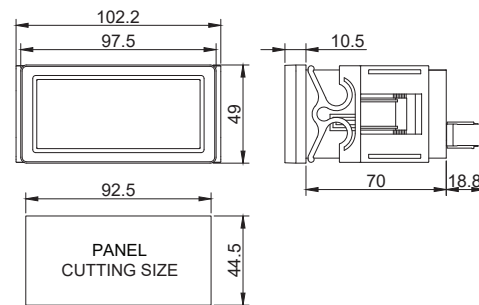
OP-31 DIN Rail bracket

(OP-02 & 04 / 05 & 12 / 24 & 25 Mutually exclusive)

AI-850B



High-Speed Check Weighing



Key Features

- Ideal for Check Weighing Applications
- DIN 1/8 Compact Panel Design
- Fully Isolated Interfaces & I/O
- RS-232 Interface (Standard)
- Selectable AC/DC Power Input

Applications

- Weight Check Automation System
- Pass/Fail Sorting Control
- Inspection for Packaging & Filling
- PLC-Integrated Weighing System

Specifications

Case Material	ABS
Display	3.46" IPS TFT LCD
Touchscreen	Resistive touch panel
ADC Resolution	24-bit
Output Data Rate	Up to 2400 Hz
Excitation	5 VDC, up to 8 × 350 Ω load cell
Sensitivity	0.1 uV/d
Input Range	0–39 mV (±19.5 mV)
Interface	RS-232, USB Type-C (USB 1.1, VCP support)
I/O	4 inputs (Photocoupler), 4 outputs (Photo-MOS relay)
Power	85–305 VAC, 47–63 Hz, 5 W (OP-22: 22–26 VDC, 5 W)
Temperature / Humidity	-20 to 60 °C / 85% RH (Non-condensing)
Weight	170 g

Options

OP-02 RS-485

OP-04 CAN Bus

OP-05 Ethernet

OP-11 Analog out

OP-12 BCD out

OP-22 DC power

OP-24 3 V excitation

OP-25 10 V excitation

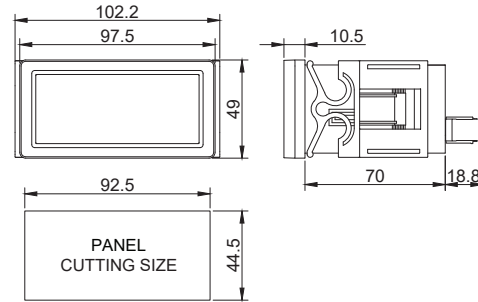
OP-31 DIN Rail bracket

(OP-02 & 04 / 05 & 12 / 24 & 25 Mutually exclusive)

AI-850C



Ultra-Fast Peak Hold



Key Features

- 5000 Hz ADC Peak Hold Optimization
- DIN 1/8 Compact Panel Design
- Fully Isolated Interfaces & I/O
- RS-232 Interface (Standard)
- Selectable AC/DC Power Input

Applications

- Peak Load Detection System
- Drop & Impact Weight Measurement
- Press Process Max Load Control
- Tension Testing for Yarn & Wire Breakage

Specifications

Case Material	ABS
Display	3.46" IPS TFT LCD
Touchscreen	Resistive touch panel
ADC Resolution	24-bit
Output Data Rate	Up to 5000 Hz
Excitation	5 VDC, up to 8 × 350 Ω load cell
Sensitivity	0.1 uV/d
Input Range	0–39 mV (±19.5 mV)
Interface	RS-232, USB Type-C (USB 1.1, VCP support)
I/O	4 inputs (Photocoupler), 4 outputs (Photo-MOS relay)
Power	85–305 VAC, 47–63 Hz, 5 W (OP-22: 22–26 VDC, 5 W)
Temperature / Humidity	-20 to 60 °C / 85% RH (Non-condensing)
Weight	170 g

Options

OP-02 RS-485

OP-04 CAN Bus

OP-05 Ethernet

OP-11 Analog out

OP-12 BCD out

OP-22 DC power

OP-24 3 V excitation

OP-25 10 V excitation

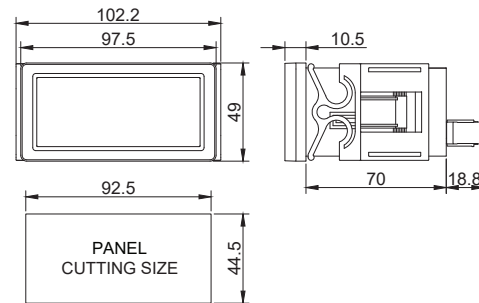
OP-31 DIN Rail bracket

(OP-02 & 04 / 05 & 12 / 24 & 25 Mutually exclusive)

AI-850D



High-Speed Packing Weighing



Key Features

- Filling / Packing weighing systems
- DIN 1/8 Compact Panel Design
- Fully Isolated Interfaces & I/O
- RS-232 Interface (Standard)
- Selectable AC/DC Power Input

Applications

- High-Speed Quantitative Filling
- Packaging Machine Weight Control
- Material Dosing Weight Management
- PLC-Integrated Weighing System

Specifications

Case Material	ABS
Display	3.46" IPS TFT LCD
Touchscreen	Resistive touch panel
ADC Resolution	24-bit
Output Data Rate	Up to 2400 Hz
Excitation	5 VDC, up to 8 × 350 Ω load cell
Sensitivity	0.1 uV/d
Input Range	0–39 mV (±19.5 mV)
Interface	RS-232, USB Type-C (USB 1.1, VCP support)
I/O	4 inputs (Photocoupler), 4 outputs (Photo-MOS relay)
Power	85–305 VAC, 47–63 Hz, 5 W (OP-22: 22–26 VDC, 5 W)
Temperature / Humidity	-20 to 60 °C / 85% RH (Non-condensing)
Weight	170 g

Options

OP-02 RS-485

OP-04 CAN Bus

OP-05 Ethernet

OP-11 Analog out

OP-12 BCD out

OP-22 DC power

OP-24 3 V excitation

OP-25 10 V excitation

OP-31 DIN Rail bracket

(OP-02 & 04 / 05 & 12 / 24 & 25 Mutually exclusive)