

# CMI-6S



## Portable 6-Channel Weighing

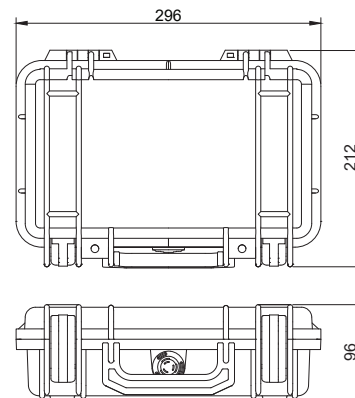
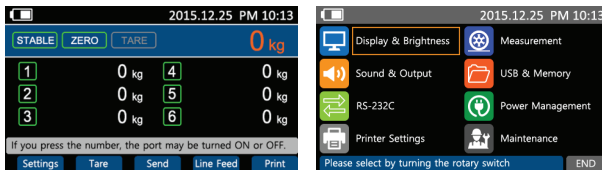


### Key Features

- Supports Up to 6 Wired Scales
- Built-in Thermal Printer
- TFT LCD for Rich Information Display
- IP67 Sealing with Cover Closed
- Lightweight and Portable Design

### Applications

- Large Structure Load Monitoring
- Multi-Channel Precision Weighing
- Mobile Load Inspection System
- Weight Data Logging and Quality Control



## Specifications

Case Material	Polypropylene copolymer / Glass fiber-reinforced ABS (GF-ABS)
Display	4.3" IPS TFT LCD
Input Method	17 tactile keys, 1 rotary switch
ADC	24-bit, up to 50 Hz/channel
Excitation	3 VDC, up to 4 × 350 Ω load cell/channel
Sensitivity	0.2 uV/d
Input Range	0–39 mV (±19.5 mV)
Interface	RS-232, USB Type-A (for data backup via USB memory)
I/O	1 input (Photocoupler), 3 outputs (NPN open collector)
Battery	Built-in Li-ion battery, approx. 14 days (8 h/day, max. 110 h), built-in charging circuit
Charger Input	12 VDC, 2 A SMPS
Temperature / Humidity	-20 to 60 °C / 85% RH (Non-condensing)
Weight	2.7 kg

### Options

None