

# RWN-1



## Wireless TFT Display

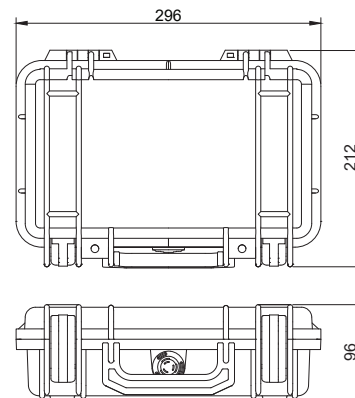


### Key Features

- Supports Up to 8 Wireless Scales
- Built-in Thermal Printer
- TFT LCD for Rich Information Display
- IP67 Sealing with Cover Closed
- Dual Modes (Overload / Truck Scale)

### Applications

- Overload Inspection & Monitoring
- Wireless Axle Scale System Control
- Vehicle Weighing Data Management
- Alternative to Truck Scale



## Specifications

Case Material	Polypropylene copolymer / Glass fiber-reinforced ABS (GF-ABS)
Display	4.3" IPS TFT LCD
Input Method	17 tactile keys, 1 rotary switch
Wireless	ZigBee
Frequency Band	ISM 2.4 GHz
Wireless Protocol	ZigBee (IEEE 802.15.4)
Wireless Range	Typical Range: 30 m (max. 300 m)
Interface	RS-232, USB Type-A (for data backup via USB memory)
I/O	1 input (Photocoupler), 3 outputs (NPN open collector)
Battery	Built-in Li-ion battery, approx. 14 days (8 h/day, max. 110 h), built-in charging circuit
Charger Input	12 VDC, 2 A SMPS
Temperature / Humidity	-20 to 60 °C / 85% RH (Non-condensing)
Weight	2.6 kg

### Options

None